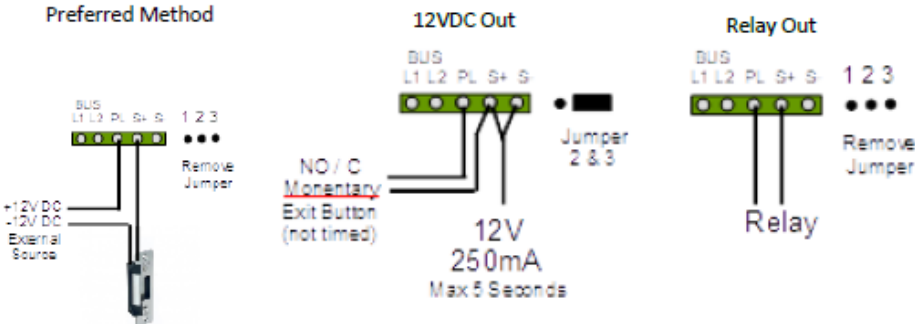


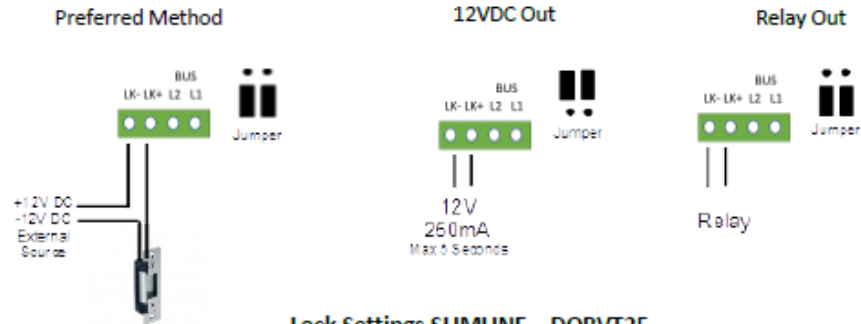
DORANI TOUCH LOCK DIAGRAMS

LOCK CONNECTIONS

Standard and Keypad Door Station – DORVT11,12,13,14

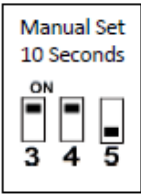
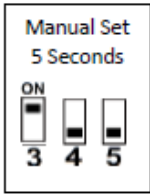
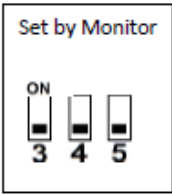


Slimline Door Station – DORVT25



Lock Settings SLIMLINE – DORVT25

THIS DIP SETTING IS UNDER THE LABEL – REINSTALL STICKER AFTER CHANGING



Time	Dip 3	Dip 4
Set By Monitor	OFF	OFF
5 Seconds	ON	OFF
10 Seconds	ON	ON

Time	Dip 5
Set By Monitor	OFF
Manually Closed	ON