



DORANI TOUCH VIDEO INTERCOM SYSTEM

INSTALL MANUAL

MODEL: DORVT

2 WIRE SYSTEM



WWW.DORANI.COM.AU

Dorani (PJM Sales) – 03 9357 0942

4/1 Merri Concourse, Campbellfield, Victoria 3061

KNOW YOUR MONITOR

DORVT22 Master ONLY Monitor



Shortcut Menu



DORVT03
Master/Slave

SIP Menu
All Installer Setting
Lock Release



Identifies Door Station Number Calling

Back Button Exit

- Settings – Volume, Brightness, Contrast
- Snapshot – Takes a Snapshot Image of Screen
- Unlock Lock 1 or Lock 2
- Unlock Lock 1
- Talk – Starts the communication to the door station

INSTALLATION

THE MONITOR WILL TAKE APPROXIMATELY 2 MINUTES TO POWER UP

CABLE

Cable diameter of 1mm² Stranded (twisted) MUST be used to achieve distances specified.

Recommended: 4 Core Security - 14/020 2 Conductors per Bus Line Wire
Cat 5 – All Conductors
Lock release will require an additional 2 cores for 12V Power feed to door station

Alternative Cables may be used

- Cable distances and picture quality may be compromised.
- Figure 8 Cable is NOT recommended for signal wires.

CONNECTIONS

The following connectors are supplied please ensure correct plugs are used



Bus Modules



Door Station



Monitor

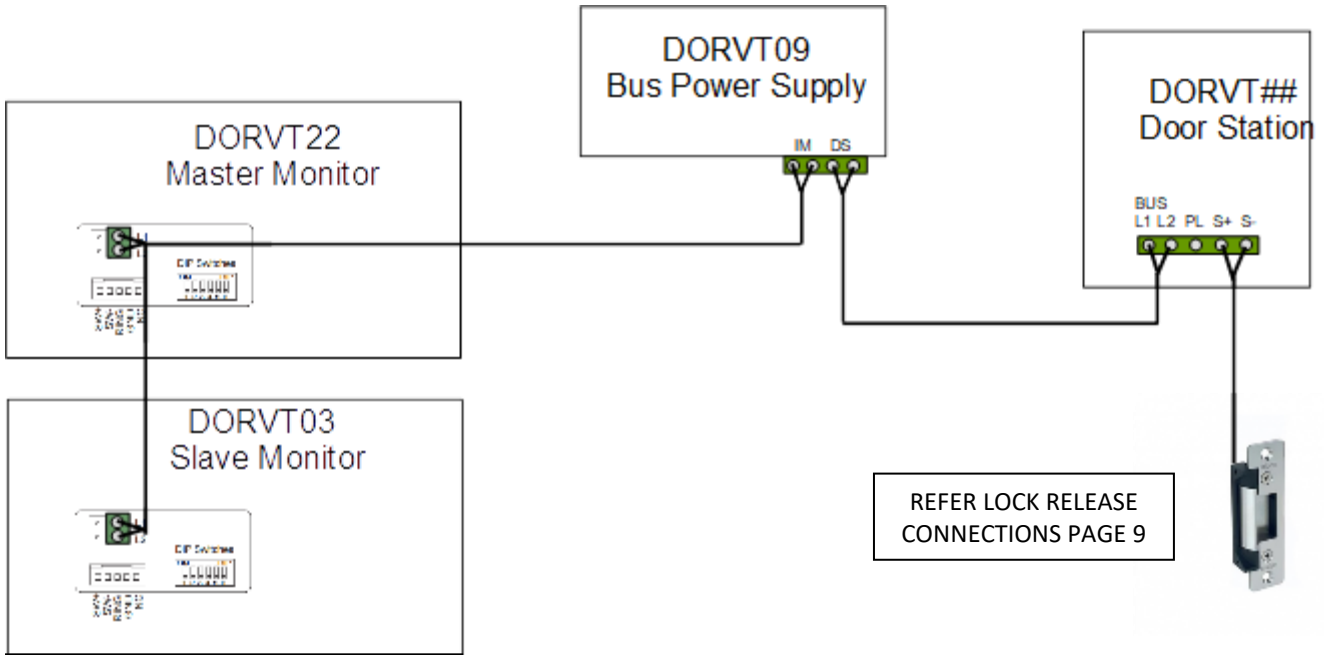
Wi-Fi and Internet

- This Intercom can work as a standalone intercom, no requirements for Wi-Fi or Mobile app services
- For Wi-Fi App connections the system requires quality internet and Wi-Fi at the monitor location
- Speeds Greater than 1.2Mbps upload are recommended for quality and reliability
- Many ISP (Internet Service Providers) restrict activity within supplied routers/modems. An IT specialist may be required to “unlock” these restrictions. This may fall outside standard installation and Dorani Tech support as it is a 3rd party device
- Dorani bears NO responsibility for connection problems caused by 3rd party devices (modems, routers, mobile devices) outside the Dorani product.
- Warranty does not apply if the issues are 3rd party related
- Dorani advise that connection to mobile devices enables communication and unlocking of your intercom system from a remote location – please ensure your mobile device has a HIGH LEVEL of security activated.

PROGRAMMING

WHEN MORE THAN 1 MONITOR IS INSTALLED THIS MUST BE PROGRAMMED refer page 11
WHEN MORE THAN 1 DOOR STATION IS INSTALLED THIS MUST BE PROGRAMMED refer page 12
LOCK RELEASE TIME IS 5 SECONDS TIME ADJUST refer page 10

Loop Wiring



REFER LOCK RELEASE CONNECTIONS PAGE 9

Cable

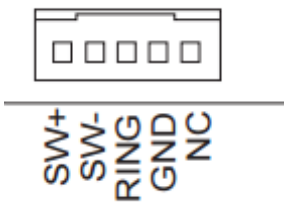
2 Wires - Twisted
 No Polarity
 1mm² to achieve max distance

Dip Switches



Dip Switch 6
 ON = Last Monitor
 All Other DIP Switches NOT USED

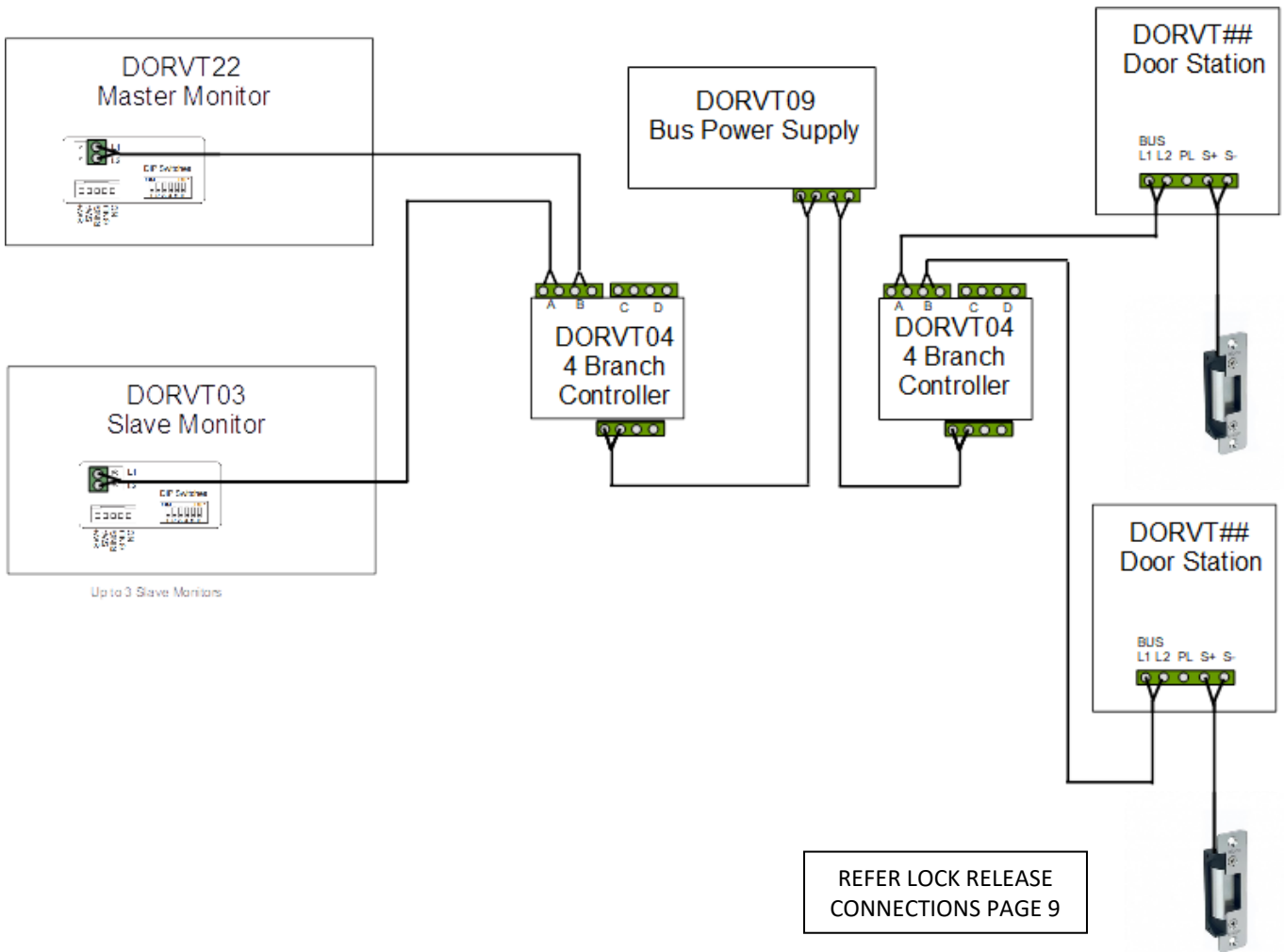
Accessory Connector



SW+ = 12V Positive Pulsing on Ring
 SW- = 12V Negative on Ring
 RING = Door Bell Normally Open Input
 GND = Door Bell Common Input
 NC = Not Used

Door Bell is to Chime Monitor ONLY

Star Wiring



Cable

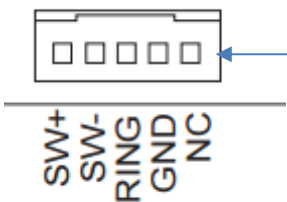
2 Wires - Twisted
 No Polarity
 1mm² to achieve max distance

Dip Switches



Dip Switch 6
 ON = ALL Monitors
 All Other DIP Switches NOT USED

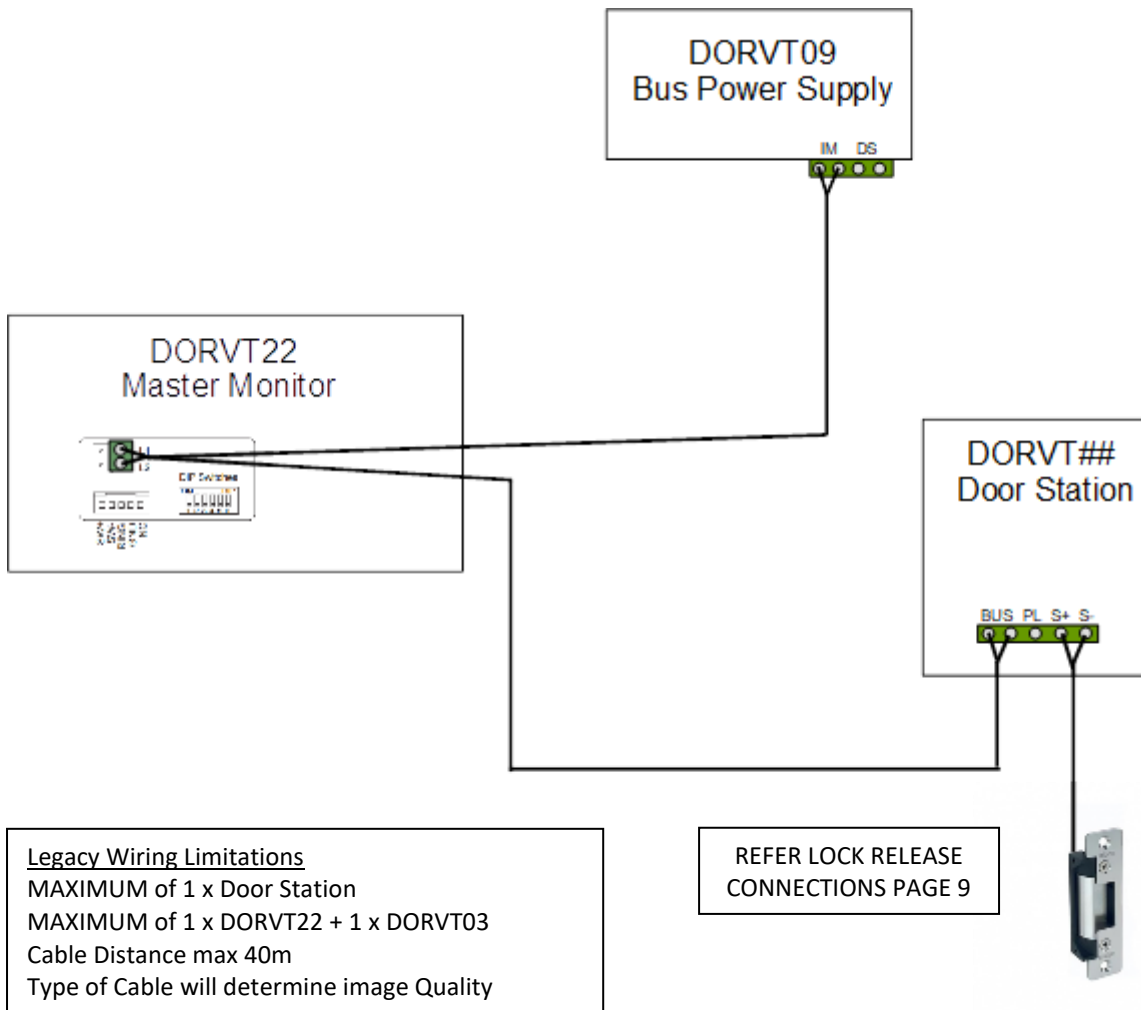
Accessory Connector



SW+ = 12V Positive Pulsing on Ring
 SW- = 12V Negative on Ring
 RING = Door Bell Normally Open Input
 GND = Door Bell Common Input
 NC = Not Used

Door Bell is to Chime Monitor ONLY

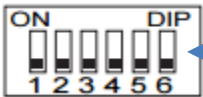
Legacy Wiring



Cable

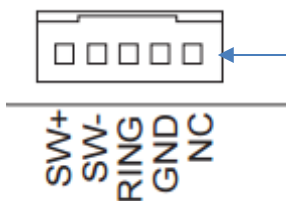
2 Wires - Twisted
 No Polarity
 1mm² to achieve max distance

Dip Switches



Dip Switch 6
 ON = ALL Monitors
 All Other DIP Switches NOT USED

Accessory Connector



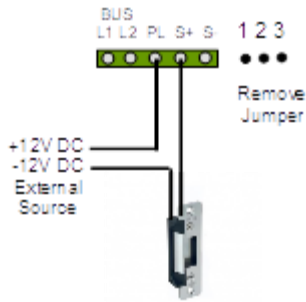
SW+ = 12V Positive Pulsing on Ring
 SW- = 12V Negative on Ring
 RING = Door Bell Normally Open Input
 GND = Door Bell Common Input
 NC = Not Used

Door Bell is to Chime Monitor ONLY

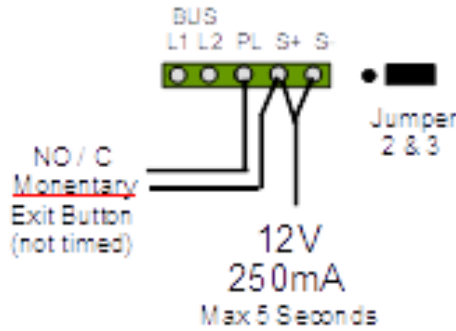
LOCK CONNECTIONS

Standard and Keypad Door Station – DORVT11,12,13,14

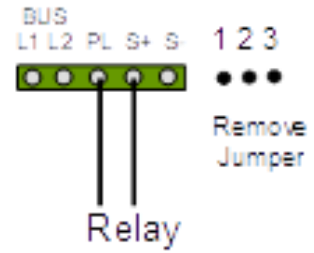
Preferred Method



12VDC Out

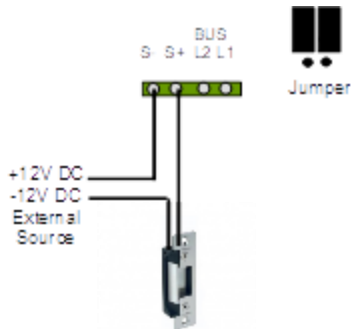


Relay Out

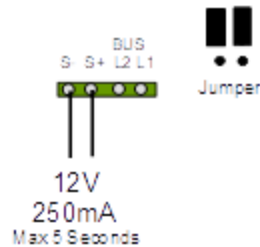


Slimline Door Station – DORVT25

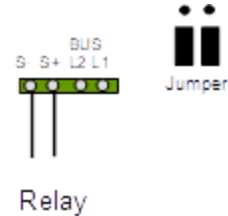
Preferred Method



12VDC Out

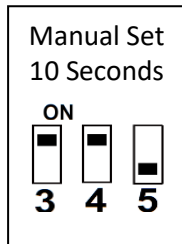
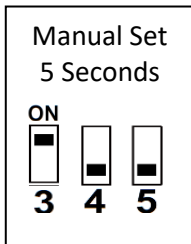
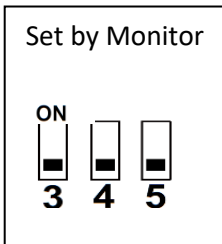


Relay Out



Lock Settings SLIMLINE – DORVT25

THIS DIP SETTING IS UNDER THE LABEL – REINSTALL STICKER AFTER CHANGING



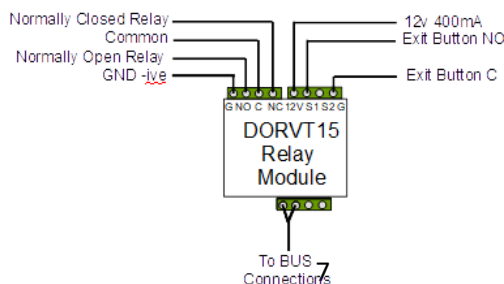
Time	Dip 3	Dip 4
Set By Monitor	OFF	OFF
5 Seconds	ON	OFF
10 Seconds	ON	ON

Time	Dip 5
Set By Monitor	OFF
Manually Closed	ON

LOCK RELEASE RELAY DORVT15

Preset as Door 1
Lock 2

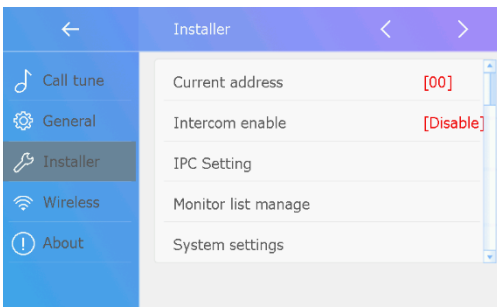
Adjust Door/Lock at
rear of the module
through DIP
settings



- Secondary Lock Release
- Allows for timed Press to Exit
- Enables lock release from remote location (internal to home) for greater security
- 12V 400mA Output

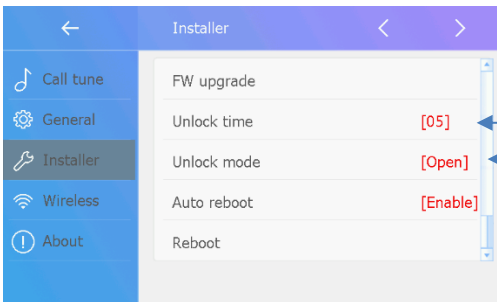
NOTE: Install loop between 12V and Common to provide 12V output across

LOCK RELEASE SETTINGS MASTER MONITOR DORVT22



Page ½ Button

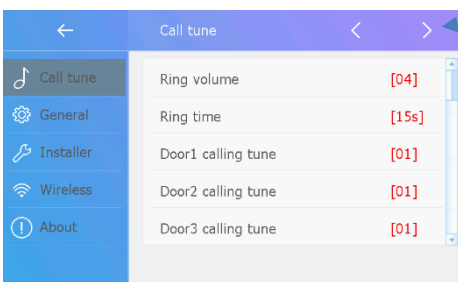
Enter Settings Menu
Enter Installer Menu
Press Page ½ Button



Adjust Lock Time

Adjust Normally Open / Closed

SETTINGS – MASTER MONITOR DORVT22

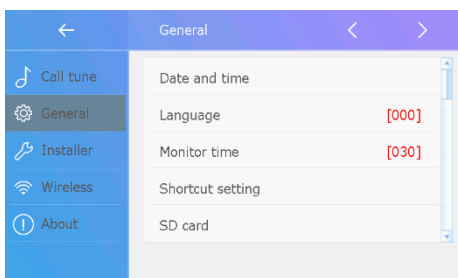


Page ½ Button

Call Tune

Adjust Call Tune Settings of each door station individually, and intercom tones

Adjust ringing time of door stations



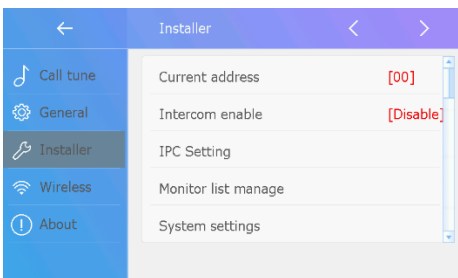
General

Adjust Date/Time

Adjust Monitor ON time

Change Shortcut bar on LHS of monitor

SD Card Settings/Format



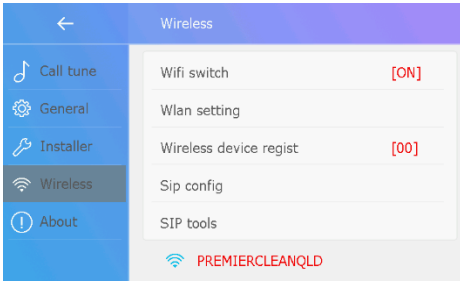
Installer

Enabling Intercom Function

System Settings (Installer level Code 12345678)

Adjusts Divert Time, Resolution

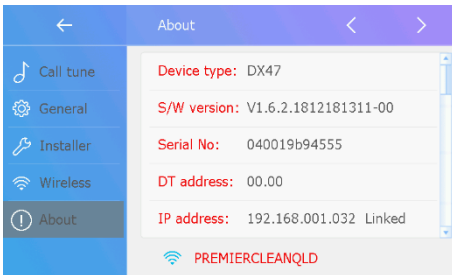
Adjust lock Settings



WIRELESS
THIS IS AN OPTIONAL INSTALLER LEVEL MENU

If this optional feature was part of your installation, please contact your installer for setup and configuration.

If your installer is not able to activate this feature please email support@dorani.com.au; the supplementary manual will be provided along with additional terms and conditions for this feature.



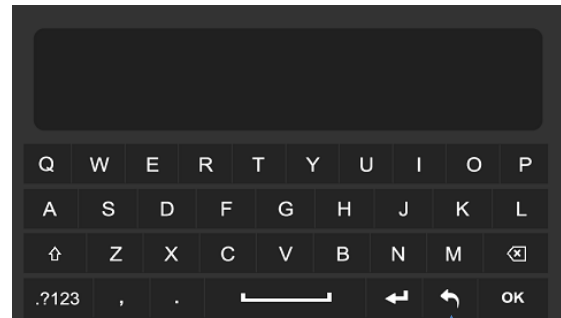
About
 Shows the Monitor Information
 Firmware
 IP Address

ADDING SLAVE MONITORS
SLAVE MONITOR DORVT03



Step 1:
 Press Dorani Symbol

Step 2:
 Press and Hold Lock button



Installer Setup Page
 Should Appear

Exit

Slave Monitor Settings:

Slave 1	Type 8001	Press OK	BEEP	Type 8006	Press OK	BEEP EXIT
Slave 2	Type 8002	Press OK	BEEP	Type 8006	Press OK	BEEP EXIT
Slave 3	Type 8003	Press OK	BEEP	Type 8006	Press OK	BEEP EXIT

Notes on additional monitors:

The system is designed to have 2 monitors alight and display images on initial call, all monitors in the system will ring; pressing of non-imaged monitors will enable communication with the door station

On smaller cable runs, additional monitors may be able to be programmed to alight on call - Dorani places no Guarantee on this feature

ADDING ADDITIONAL DOOR STATIONS

Keypad Doors (DORVT13,14)

1234 # 12 # Door Number # *

Door 1 = 0

Door 2 = 1

Door 3 = 2

Door 4 = 3

Non - Keypad Doors (DOVT010,11)

Remove front fascia cover

The next steps need to be done QUICKLY

Power up Door station – Instantly press TOP button for 3 seconds - The system should beep and flash

Press and hold BOTH buttons for 3 seconds - the system should beep, and the light should go out.

Press TOP button ONCE - it should beep 1 time = Door 1

Press TOP button TWICE - it should beep 2 times = Door 2

Press TOP button THREE TIMES - it should beep 3 times = Door 3

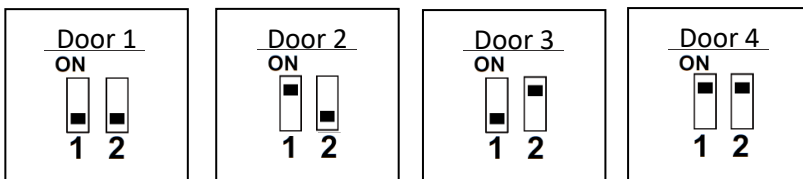
Press TOP button FOUR TIMES - it should beep 4 times = Door 4

Power off once completed OR wait 10 seconds without pressing any buttons

Slimline Door Stations (DORVT25)

THIS DIP SETTING IS UNDER THE LABEL – REINSTALL STICKER AFTER CHANGING

Use Dip Switches to Address station



Door	Dip 1	Dip 2
1	OFF	OFF
2	ON	OFF
3	OFF	ON
4	ON	ON

KEYPAD DOOR STATION PROGRAMMING

Setting Notes:

Substitute 1234 for Installer Code
3 Beeps = Incorrect setting, code or location
Long Beep = Correct
* = Exit Programming

Default Installer Code= 1234

New Installer Code _____

Program New Installer Code

1234 # 01 # New Master Code # * *

Program New User Code Lock 1 (Locations 20-29)

1234 # 20 # New User Code # * Location 20 Default Code = 2580

1234 # 21 # New User Code # *

1234 # 22 # New User Code # *

New Code

Program New User Code Lock 2 (Locations 60-69)

1234 # 60 # New User Code # * Location 60 Default Code = 0852

1234 # 61 # New User Code # *

1234 # 62 # New User Code # *

New Code

Lock Time (1 time for both locks)

1234 # 03 # Time (e.g 01) # * Default Time = 05

Defaulting Keypad with Code

1234 # 00 # 1234 # Wait 10 Seconds (Beep will be heard) *

Defaulting Keypad without Code

Power Down Door Station

Press and hold call button and Power up System (Hold button for 3 seconds)

You will hear a short beep, short beep, long beep, short beep

Release call button

Press and hold call button again for 3 seconds

You will hear a long beep, short beep

Release call button

Press and hold call button again for 3 seconds

You will hear a long beep and the light will change to green

Release call button

System is now defaulted

CONGRATULATIONS, on your new Dorani Video Intercom Product

Dorani Video Intercoms pride themselves on providing innovative solutions in domestic, commercial and apartment video intercom systems.

We endeavour to provide all of our clients with the highest level of customer service, and ongoing product support.

We value your feedback and provide you with our warranty details below.

Warranty

All Dorani Video Intercom products come with a limited 24 month warranty from time of initial purchase.

This warranty is covered by Dorani Pty Ltd standard terms and conditions.

Diversion and Mobile device connection warranty and disclaimer is outlined in detail at www.dorani.com.au.

Please read all terms and conditions and disclaimers and if you have any queries, please contact your installer or Dorani Pty Ltd directly in relation to these.

For any service, technical support or warranty items please contact your original installer or local representative for assistance.

Technical Support: support@dorani.com.au



WWW.DORANI.COM.AU

reception@dorani.com.au

Dorani (PJM Sales) – 03 9357 0942

4/1 Merri Concourse, Campbellfield, Victoria 3061