

DORIP - 08

2MP IP NETWORK
30 X PTZ IR CAMERA



DORANI[®]
IP CCTV SURVEILLANCE SYSTEMS

KEY FEATURES



DORIP - 08

2MP IP NETWORK 30 X PTZ IR CAMERA

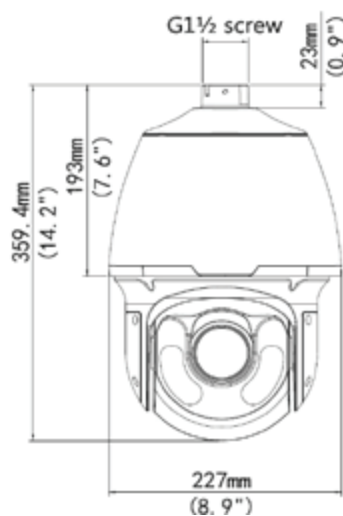
- 2MP – 1920x1080 Resolution
- 16 x Digital Zoom
- 30 x Optical Zoom
- SmartIR - up to 150 m IR
- True Day/Night with WDR for all lighting conditions
- Triple Video Streams
- 24V Connection
- Multiple network viewing options (web viewer, IOS, android, push notifications)
- Powerful Video Analytics such as Behavior, Exception, Identification and Statistical
- ONVIF Conformance
- IP66 Weather Resistant Housing
- 2 Year Warranty
- Ultra 265 Video Compression; reduces bandwidth and storage requirements by up to 80% over H.264
- On-board storage capable with Micro SD Card

S P E C I F I C A T I O N S

D O R I P - 0 8					
Sensor	1/2.8", progressive scan, 2.0 megapixel, CMOS				
Lens	4.5 ~ 135 mm , AF automatic focusing and motorized zoom lens				
Digital Zoom	16				
Optical Zoom	30				
DORI Distance	Lens	Detect(m)	Observe(m)	Recognize(m)	Identify(m)
	4.5mm	69.8	27.9	14	7
	135mm	2094.8	837.9	419	209.5
Angle of View (H)	71.7°~ 2.4°				
Angle of View (V)	43.4°~1.3°				
Angle of View (O)	88.2°~2.8°				
Shutter	Auto/Manual; shutter time: 1/6 s ~ 1/100000 s				
Minimum Illumination	Colour: 0.01 lux (F1.6, AGC ON) 0 lux with IR				
Iris	Auto/Manual; F1.5 ~ F4.0				
Day/Night	IR-cut filter with auto switch (ICR)				
Digital noise reduction	2D/3D DNR				
S/N	>52dB				
IR Range	Up to 150 m (492 ft)				
Defog	Digital Defog				
WDR	120dB				
V I D E O					
Video Compression	Ultra 265, H.265, H.264, MJPEG				
H.264 code profile	Baseline profile, Main Profile, High Profile				
Frame Rate	Main Stream: 2MP (1920×1080): Max. 30 fps; Sub Stream: 2MP (1920×1080): Max. 30 fps; Third Stream: D1 (720×576): Max. 30 fps				
HLC	Supported				
BLC	Supported				
EIS	Supported				
OSD	Up to 8 OSDs				
Privacy Mask	Up to 24 areas				
ROI	Up to 8 areas				
Motion Detection	Up to 4 areas				
S M A R T					
Behavior Detection	Intrusion, cross line, motion detection, auto tracking				
Intrusion	Enter and loiter in a pre-defined virtual region				
cross line	Cross a pre-defined virtual line				
motion detection	Moving within a pre-defined virtual region				
auto tracking	Tracking the specified target				
Recognition	Face detection, Audio detection				
Intelligent Identification	Defocus, Scene Change				
Statistical Analysis	People counting				
General Function	Watermark, IP Address Filtering, Tampering Alarm, Alarm input, Alarm output, Access Policy, ARP Protection, RTSP Authentication, User Authentication				

STORAGE	
Edge Storage	Micro SD, up to 128 GB
Network Storage	ANR
NETWORK	
Protocols	IPv4, IGMP, ICMP, ARP, TCP, UDP, DHCP, PPPoE, RTP, RTSP, RTCP, DNS, DDNS, NTP, FTP, UPnP, HTTP, HTTPS, SMTP, 802.1x, SNMP
Compatible Integration	ONVIF(Profile S, Profile G), API
PAN & TILT	
Pan Range	360° (endless)
Pan Speed	0.1°/s ~ 240°/s
	Preset speed: 300°/s
Tilt Range	-15° ~ +90° (auto reverse)
Tilt Speed	0.1° ~ 160°/s
	Preset speed: 240°/s
Number of Presets	1024
Patrol	Up to 16 patrols, up to 32 presets per patrol Note: The total number of patrols and patterns is 16.
Home Position	Supported
GENERAL	
Power	24 V AC±25%, 24 V DC±25%
	24 V AC±25%, 24 V DC±25%, PoE (PSE Required)
	Power consumption: 9 ~ 42W
Dimensions(ØxH)	Ø227x359.4 mm (Ø8.9" x 14.2")
Weight	5.28 kg (11.6lb)
Working Environment	-40°C ~ +65°C (-40°F ~ 149°F), Humidity:10%~95% RH(non-condensing)
Ingress Protection	IP66
Warranty	2 Years as per Dorani Pty Ltd Standard Terms and Conditions

DIMENSIONS



Dorani Pty Ltd – Security Systems

Victoria

4/1 Merri Concourse, Campbellfield VIC 3061

Email: reception@dorani.com.au

Web: www.dorani.com.au

Phone: 03 9357 0942

Queensland

Factory 1/13 Commerce Circuit, Yatala, Qld Australia 4207

Email: info@premiercleanqld.com.au

Web: www.premierclean.com.au

Phone: 07 3382 6978